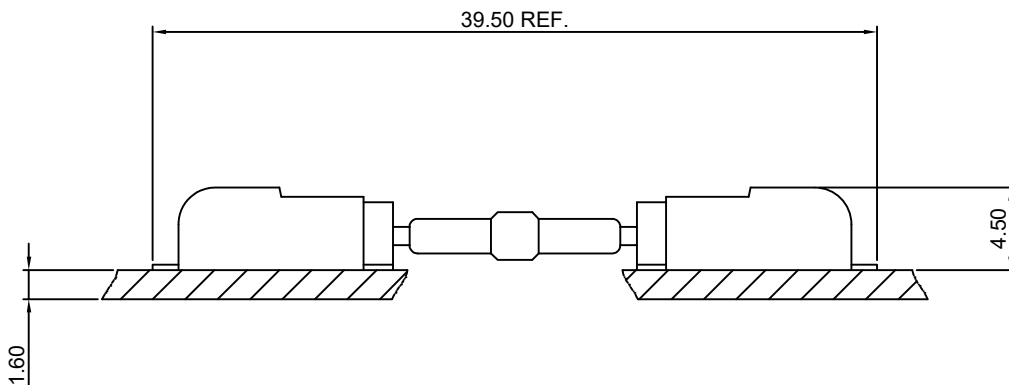


Specifications

- Current rating:9A AC,DC
- Voltage rating:630V AC,DC
- Temperature range:-25°C~+85°C
- Contact resistance:10mΩMax.
- Insulation resistance:500MΩMin.
- Withstanding voltage:2500V AC/minute
- *Compliant with RoHS and REACH*
- *Meet the HF/Halogen Free,GWT/Glow wire Test (IEC60335-1) request,need to customize*
- *Contact HDGC for details*

Assembly layout





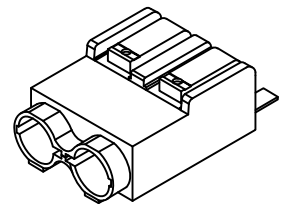
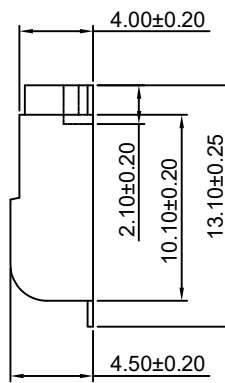
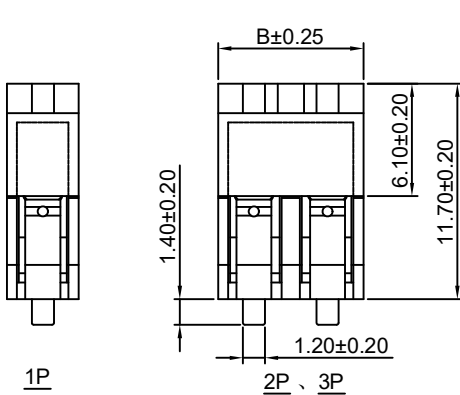
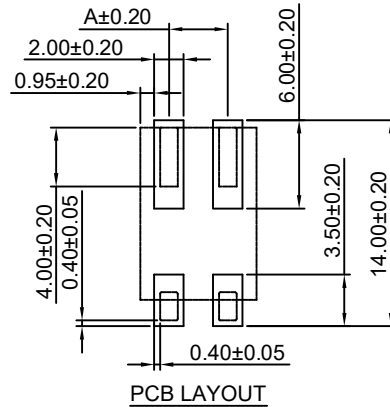
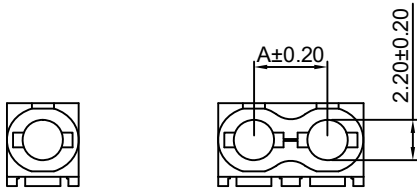
HDGC4001S Series 4.00mm (.157") Pitch Wire to Board and Wire to Wire Connector

HDGC4001SMD-S-XP

4.00mm pitch Wafer-SMT TYPE

Reference Informations:

- *Material: Pin: Copper Alloy/Tin over Nickel
Insulator: PPA-GF, UL94V-0
- *Mates with HDGC4001WVW Wafer
Wire: AWG #18-#24
- *Color: Light Gray



Ordering Information & Dimensions:

PART NO.	Dimensions	
	A	B
1P	---	3.90
2P	4.00	7.90
3P	8.00	11.90

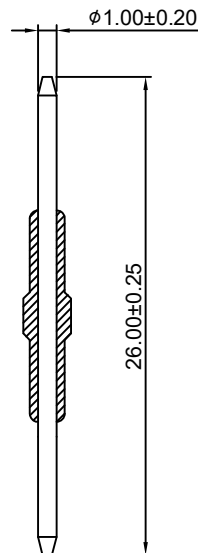
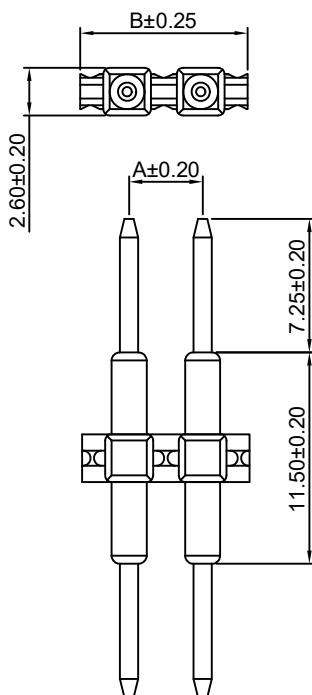
Unit: mm

HDGC4001WVW-XP

4.00mm pitch 180° Wafer

Reference Informations:

- *Material: Pin: Copper Alloy/Tin over Nickel
Insulator: PPA-GF, UL94V-0
- *Mates with HDGC4001SMD-S Wafer
- *Color: Light Gray



Ordering Information & Dimensions:

PART NO.	Dimensions	
	A	B
1P	---	5.10
2P	4.00	9.10
3P	8.00	13.10

Unit: mm