

## Specifications

- Current rating:2A AC,DC
- Voltage rating:100V AC,DC
- Temperature range:-25°C~+85°C
- Contact resistance:10mΩMax.
- Insulation resistance:1000MΩMin.
- Withstanding voltage:800V AC/minute
- \*Compliant with RoHS and REACH\*
- \*Meet the HF/Halogen Free need to customize\*
- \*Contact HDGC for details\*



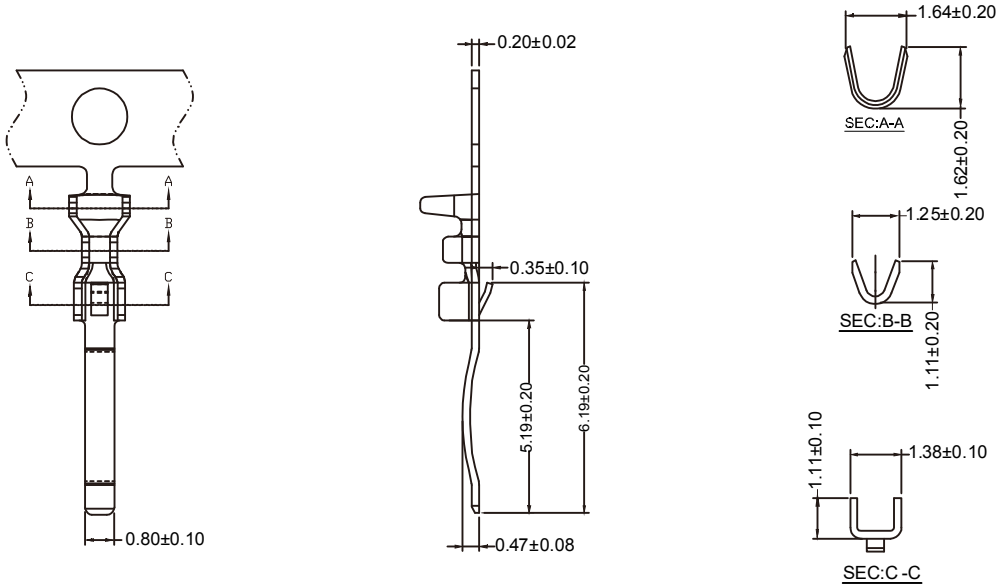
## HDGC2301 Series 2.30mm (.091") Pitch Wire to Board Connector

### HDGC2301-T

2.30mm pitch Crimp Terminal

#### Reference Informations:

\*Used in HDGC2301H-XP series Housing



Ordering information & Specifications:

Unit:mm

Part NO.	Wire Range	Insulation O.D.	Material	Finish	Qty/reel
HDGC2301-TP	AWG#28-#32	1.16mm(max)	Phosphor Bronze	Tin over Nickel	15,000 PCS
HDGC2301-GP	AWG#28-#32	1.16mm(max)	Phosphor Bronze	Gold over Nickel	15,000 PCS

Optional Gold plating available but MOQ requested

### HDGC2301H-XP

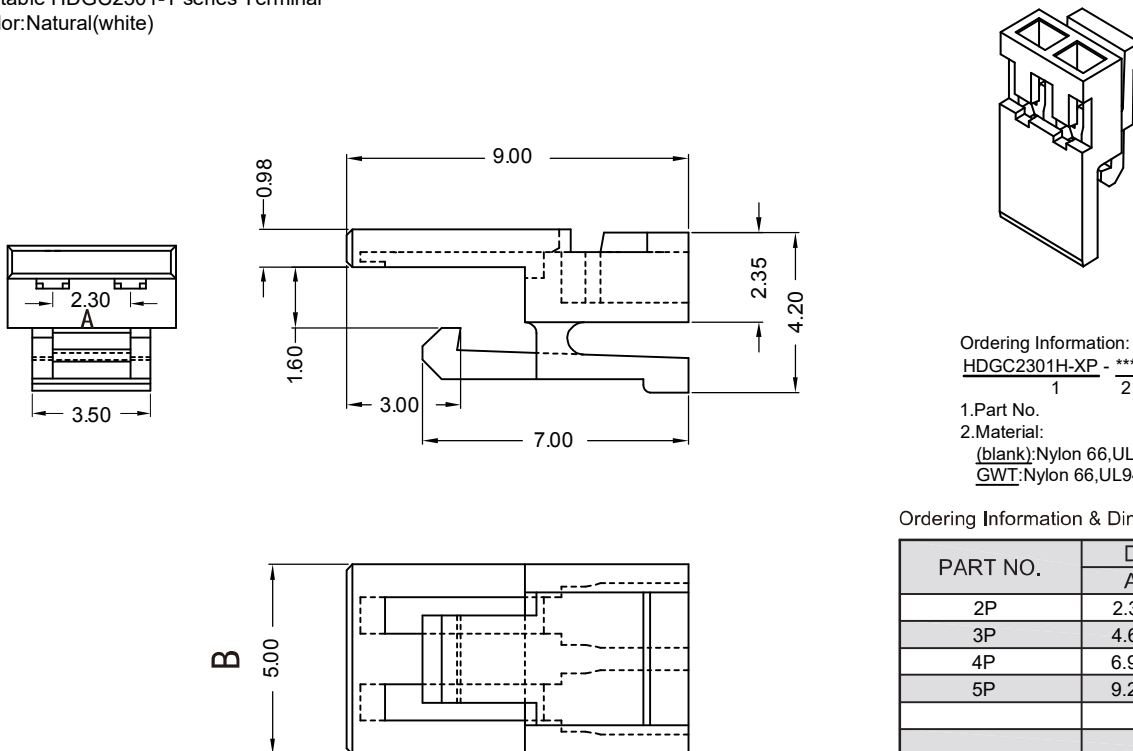
2.30mm pitch Housing

#### Reference Informations:

\*Material:Nylon 66,UL94V-0

\*Suitable HDGC2301-T series Terminal

\*Color:Natural(white)



Ordering Information:  
HDGC2301H-XP - \*\*\*  
1 2

1.Part No.  
2.Material:  
(blank):Nylon 66,UL94V-0  
GWT:Nylon 66,UL94V-0,GWT 750°C

Ordering Information & Dimensions:

PART NO.	Dimensions	
	A	B
2P	2.30	5.00
3P	4.60	7.30
4P	6.90	9.60
5P	9.20	11.90
		Unit: mm

Unit: mm



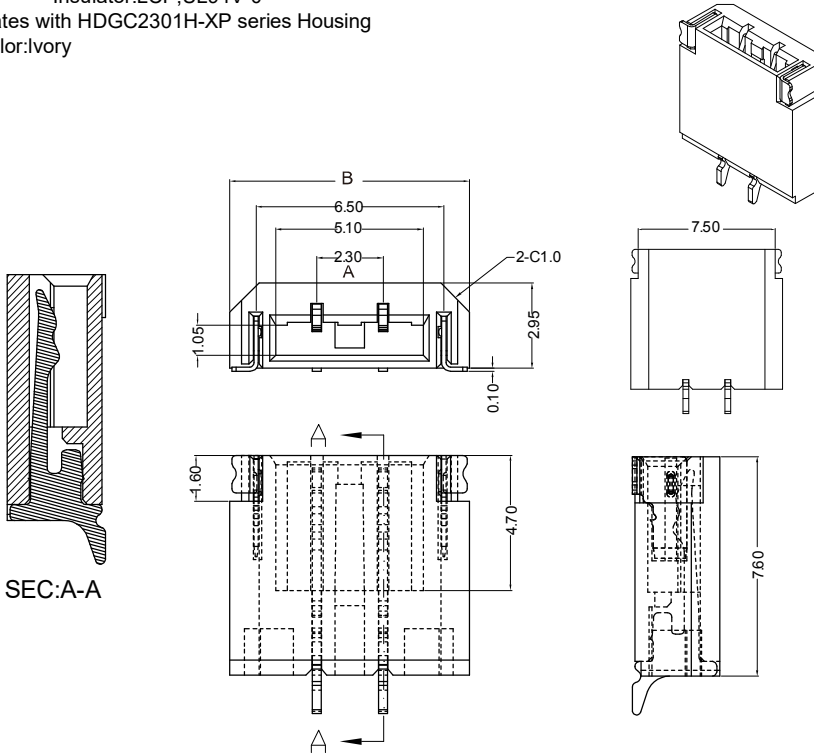
## HDGC2301 Series 2.30mm (.091") Pitch Wire to Board Connector

### HDGC2301WR-2Y

2.30mm pitch 90° Wafer

#### Reference Informations:

- \*Material: Pin: Brass/Phosphor Bronze/Tin over Nickel  
Insulator: LCP, UL94V-0
- \*Mates with HDGC2301H-XP series Housing
- \*Color: Ivory



#### Ordering Information & Dimensions:

PART NO.	Dimensions	
	A	B
2P	2.30	8.30
3P	4.60	10.60
4P	6.90	12.90
5P	9.20	15.20
6P	11.50	17.50
7P	13.80	19.80
8P	16.10	22.10
9P	18.40	24.40
10P	20.70	26.70
11P	21.00	29.00
12P	23.30	31.30
13P	25.80	33.60
14P	28.10	35.90
15P	30.40	38.20
16P	32.70	40.50
17P	35.00	42.80
18P	37.30	45.10
19P	39.60	47.40
20P	41.90	49.70

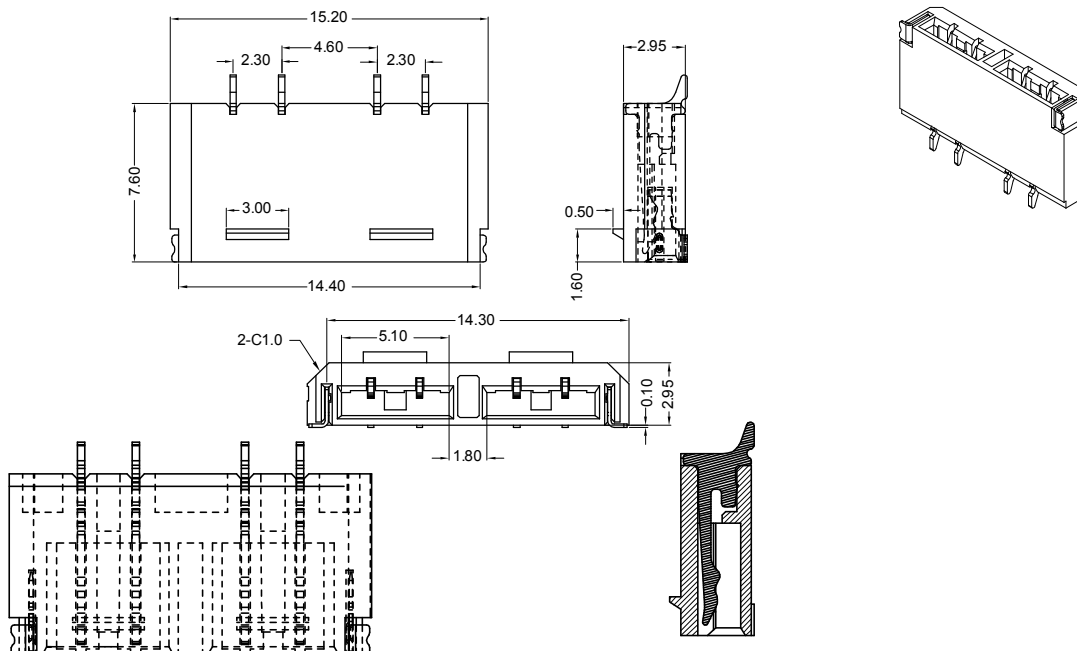
Unit: mm

### HDGC2301WR-4Y

2.30mm pitch 90° Wafer

#### Reference Informations:

- \*Material: Pin: Brass/Phosphor Bronze/Tin over Nickel  
Insulator: LCP, UL94V-0
- \*Mates with HDGC2301H-XP series Housing
- \*Color: Ivory



Unit: mm