

Specifications

- Current rating: 1A AC,DC
- Voltage rating: 200V AC,DC
- Temperature range: -25°C~+85°C
- Contact resistance: 40mΩMax.
- Insulation resistance: 100MΩMin.
- Withstanding voltage: 500V AC/minute
- *Compliant with RoHS and REACH*
- *Meet the HF/Halogen Free, need to customize*
- *Contact HDGC for details*



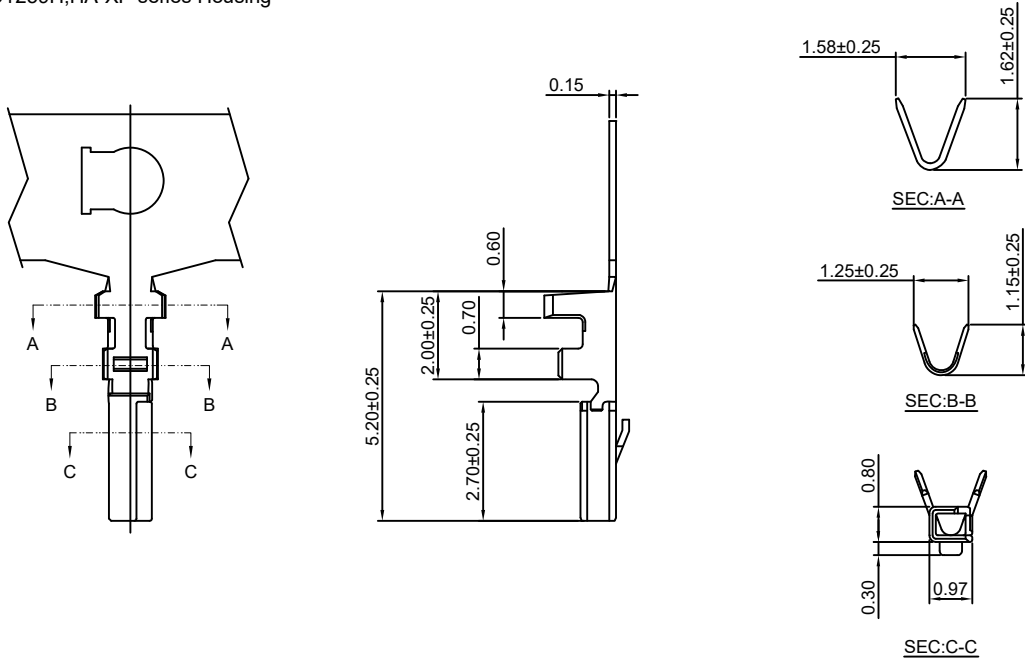
HDGC1259 Series 1.25mm (.049") Pitch Wire to Board Connector

HDGC1259-T

1.25mm pitch Crimp Terminal

Reference Informations:

*Used in HDGC1259H,HA-XP series Housing



Ordering Information & Dimensions:

Unit: mm

Part NO.	Wire Range	Insulation O.D.	Material	Finish	Qty/reel
HDGC1259-TP	AWG#28-#32	1.07mm(max)	Phosphor Bronze	Tin over Nickel	15,000 PCS

HDGC1259H-XP

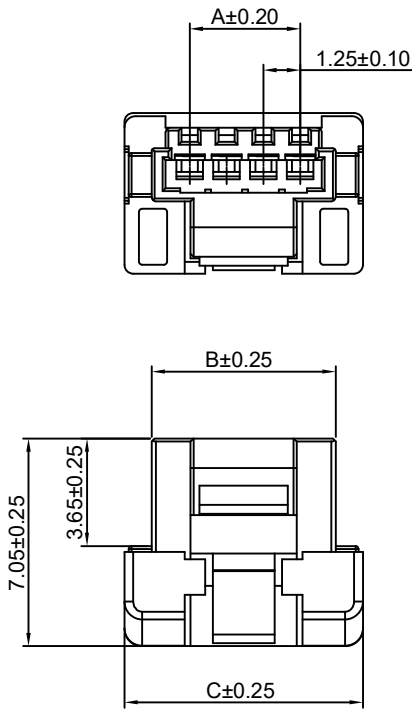
1.25mm pitch Housing

Reference Informations:

*Material:Nylon 66,UL94V-0

*Suitable HDGC1259-T series Terminal

*Color:White



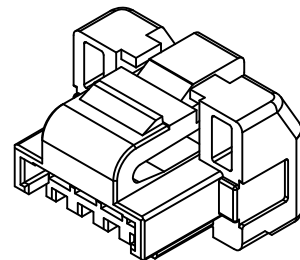
Ordering Information:
HDGC1259H-XP - ***
1 2

1.Part No.

2.Material:

(Blank):Nylon 66,UL94V-0

GWT :Nylon 66,UL94V-0 GWT 750 °C



Ordering Information & Dimensions:

PART NO.	Dimensions		
	A	B	C
2P	1.25	3.75	5.60
3P	2.50	5.00	6.85
4P	3.75	6.25	8.10
5P	5.00	7.50	9.35
6P	6.25	8.75	10.60
7P	7.50	10.00	11.85
8P	8.75	11.25	13.10
9P	10.00	12.50	14.35
10P	11.25	13.75	15.60
11P	12.50	15.00	16.85
12P	13.75	16.25	18.10
13P	15.00	17.50	19.35
14P	16.25	18.75	20.60
15P	17.50	20.00	21.85

Unit: mm



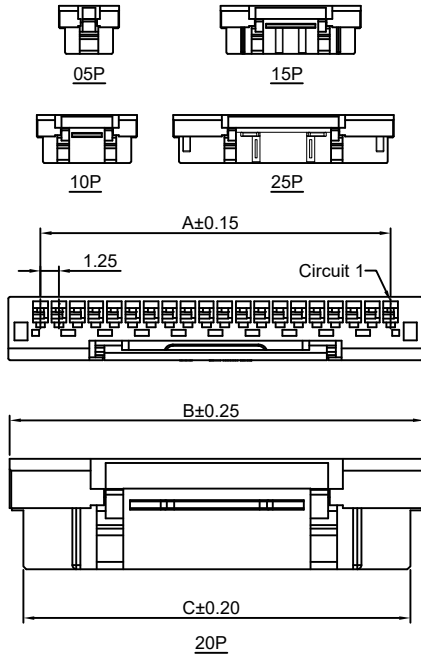
HDGC1259 Series 1.25mm (.049") Pitch Wire to Board Connector

HDGC1259HA-XP

1.25mm pitch Housing

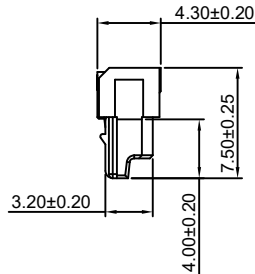
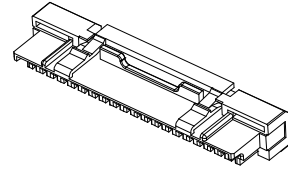
Reference Informations:

- *Material: Nylon 66, UL94V-0
- *Suitable HDGC1259-T series Terminal
- *Color: White



Ordering Information:
 HDGC1259HA-XP - **
 1 2

1. Part No.
2. Material:
 (blank) : Nylon 66 , UL94V-0
 LCP : LCP , UL94V-0
 GWT : Nylon 66, UL94V-0 GWT 750 °C



Ordering Information & Dimensions:

PART NO.	Dimensions		
	A	B	C
5P	5.00	9.35	7.50
10P	11.25	15.60	13.75
15P	17.50	21.85	20.00
20P	23.75	28.10	26.25
25P	30.00	34.35	32.50

Unit: mm