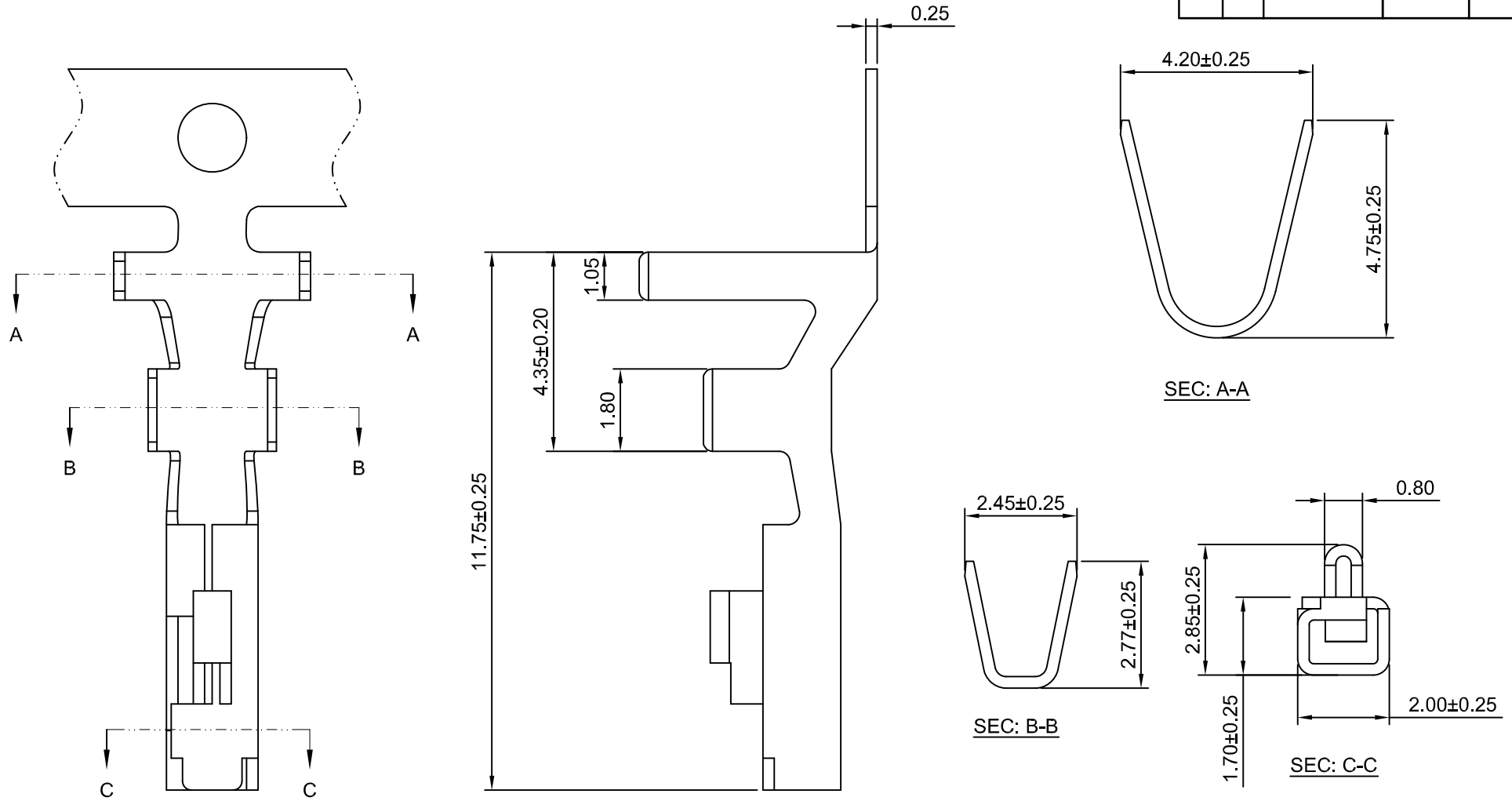


修订 REV	标记 MARK	修改摘要 REVISION DESCRIPTION	签名 SIGNATURE	日期 DATE
AO		NEW RELEASE	WANG	2012-09-06



Ordering information & Specifications

Unit:mm

Part No	Wire Range	Insultion O.D.	Material	Finish	Qty/reel
HDGC3962-TB	AWG#18-#22	2.80mm(max)	Brass	Tin over Nickel	3,000 PCS
HDGC3962-TP	AWG#18-#22	2.80mm(max)	Phosphor Bronze	Tin over Nickel	3,000 PCS
HDGC3962-GB	AWG#18-#22	2.80mm(max)	Brass	Gold over Nickel	3,000 PCS
HDGC3962-GP	AWG#18-#22	2.80mm(max)	Phosphor Bronze	Gold over Nickel	3,000 PCS

Optional Gold plating available but MOQ requested



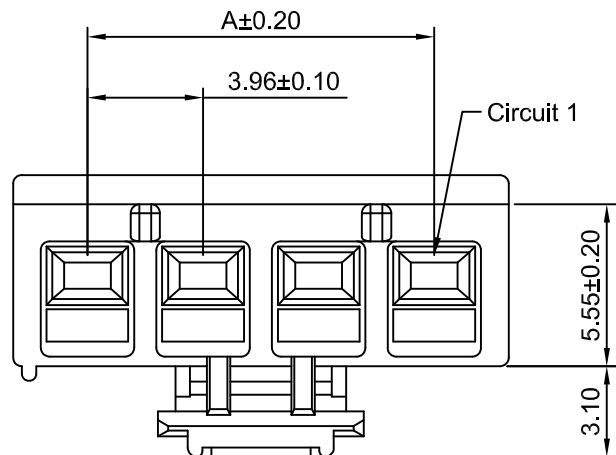
深圳市华德共创科技有限公司

SHENZHEN HUADE CO-CREATE TECHNOLOGY CO.,LTD

TEL : 0755-27129737 FAX : 0755-29940187

-TOLERANCES- UNLESS OTHERWISE SPECIFIED 公差参数表					TITLE: 3.96mm Pitch 产品名称: Crimp Terminal				
X.X	±0.30	X.X°	±3°	APPD: 核准:	XIE				
X.XX	±0.30	X.XX°	±2°	CHECK: 校对:	WANG	DATE	SCALE	UNIT	CODE NUMBER
X.XXX	±0.10	X.XXX°	±1°	DRAW: 绘图:	WANG	2012-09-06	8:1	mm	A008

修订 REV	标记 MARK	修改摘要 REVISION DESCRIPTION	签名 SIGNATURE	日期 DATE
AO		NEW RELEASE	WANG	2012-09-06



Ordering Information:

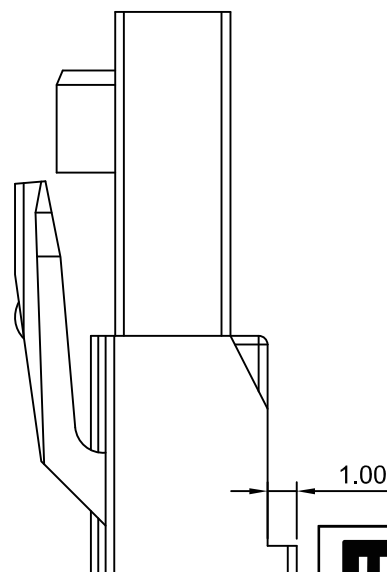
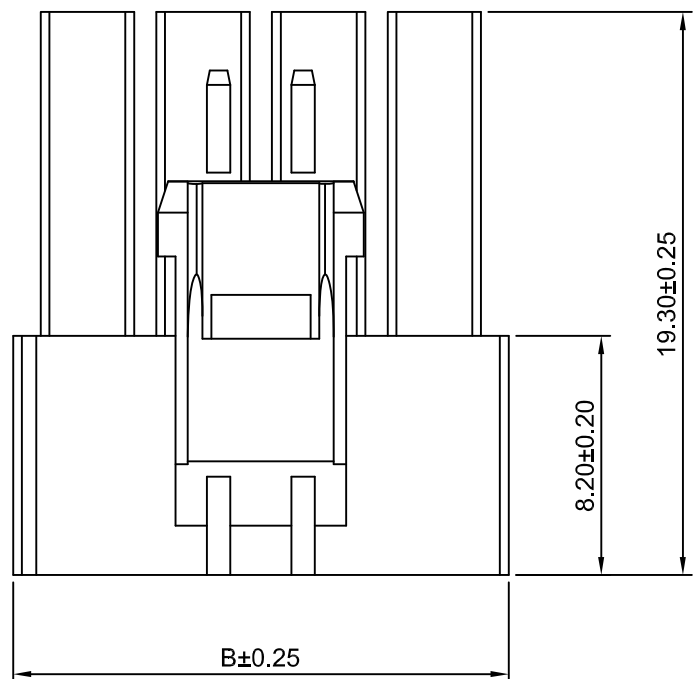
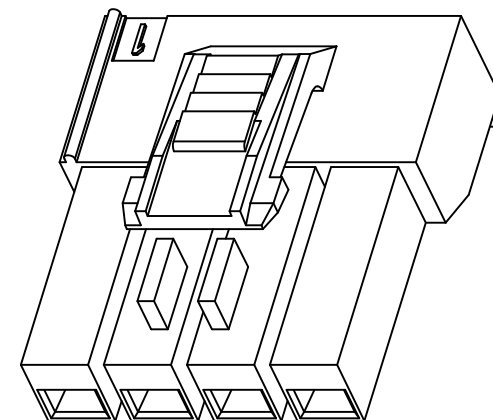
HDGC3962H-XP - **
1 2

1.Part No.

2.Color:

(blank):White

BK:Black



SPECIFICATIONS:

Current Rating: 6A AC,DC

Voltage Rating: 300V AC,DC

Temperature Range: -25°C ~ +85°C

Contact Resistance: 10mΩ Max

Insulation Resistance: 1000MΩ Min

Withstanding Voltage: 1500V AC/minute

Material: Nylon 66,UL94V-0(White)

Ordering Information & Dimensions

Circuits	Dimensions(mm)		Circuits	Dimensions(mm)	
	A	B		A	B
2P	3.96	9.06	4P	11.88	16.98



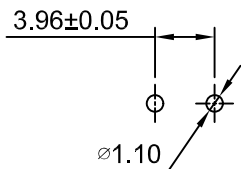
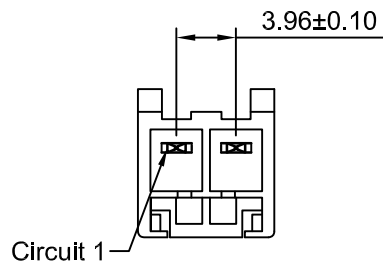
深圳市华德共创科技有限公司

SHENZHEN HUADE CO-CREATE TECHNOLOGY CO.,LTD

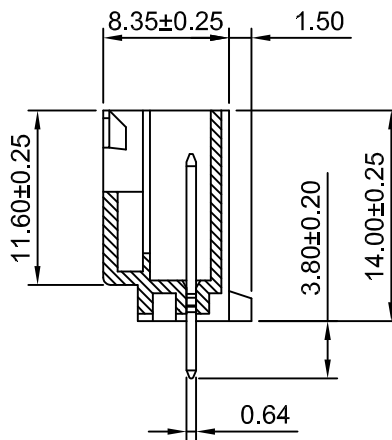
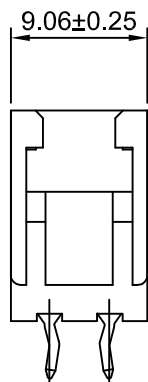
TEL : 0755-27129737 FAX : 0755-29940187

-TOLERANCES- UNLESS OTHERWISE SPECIFIED 公差参数表				TITLE: 产品名称: 3.96mm Pitch Housing				
X.X	±0.30	X.X°	±3°	APPD: 核准: XIE	PART NO: 产品编号: HDGC3962H-4P			
X.XX	±0.30	X.XX°	±2°	CHECK: 校对: WANG	DATE	SCALE	UNIT	CODE NUMBER
X.XXX	±0.10	X.XXX°	±1°	DRAW: 绘图: WANG	2012-09-06	4:1	mm	A008

修订 REV	标记 MARK	修改摘要 REVISION DESCRIPTION	签名 SIGNATURE	日期 DATE
AO		NEW RELEASE	WANG	2017-04-12



P.C.B LAYOUT



Ordering Information:
 HDGC3962WV-2P - *** - **
 1 2 3

- Part No.
- Material:
 (blank):Nylon 66,UL94V-0
 GWT:Nylon 66,UL94V-0,GWT 750 °C
- Color:
 (blank):Natural
 BK:Black
 RD:Red
 BL:Blue
 YL:Yellow

SPECIFICATIONS:
 Current Rating: 6A AC,DC
 Voltage Rating: 300V AC,DC
 Temperature Range: -25°C ~ +85°C
 Contact Resistance: 10mΩ Max
 Insulation Resistance: 1000MΩ Min
 Withstanding Voltage: 1500V AC/minute
 Pin Material:Brass/Tin over Nickel
 Material: Nylon 66,UL94V-0(Natural)



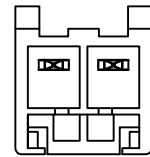
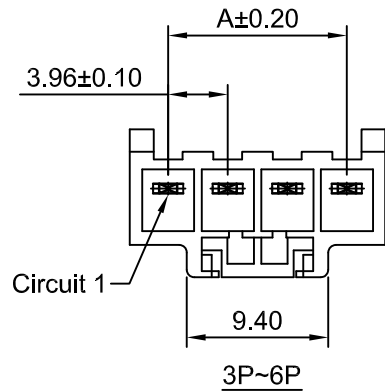
深圳市华德共创科技有限公司

SHENZHEN HUADE CO-CREATE TECHNOLOGY CO.,LTD

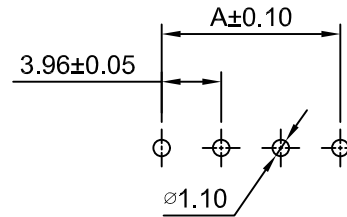
TEL : 0755-27129737 FAX : 0755-29940187

-TOLERANCES- UNLESS OTHERWISE SPECIFIED 公差参数表						TITLE: 3.96mm Pitch 产品名称: 180° Wafer			
X.X	±0.30	X.X°	±3°	APPD: 核准:	XIE	PART NO: 产品编号: HDGC3962WV-2P			
X.XX	±0.30	X.XX°	±2°	CHECK: 校对:	WANG	DATE	SCALE	UNIT	CODE NUMBER
X.XXX	±0.10	X.XXX°	±1°	DRAW: 绘图:	WANG	2017-04-12	2:1	mm	A008

修订 REV	标记 MARK	修改摘要 REVISION DESCRIPTION	签名 SIGNATURE	日期 DATE
AO		NEW RELEASE	WANG	2017-04-12



2P

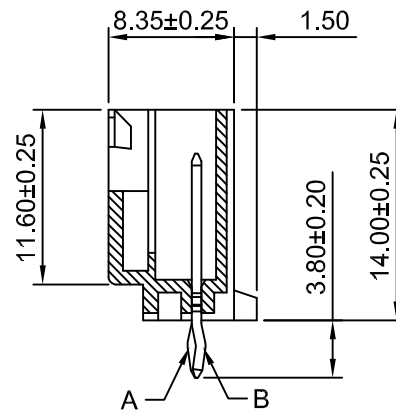
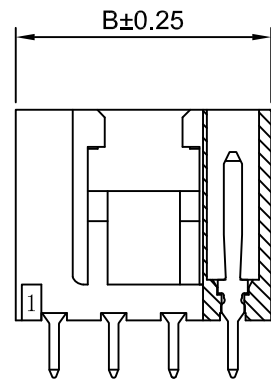


P.C.B LAYOUT

Ordering Information:

HDGC3962WV-XP-2 - *** - **
1 2 3

- Part No.
- Material:
(blank):Nylon 66,UL94V-0
GWT:Nylon 66,UL94V-0,GWT 750°C
- Color:
(blank):Natural
BK:Black
RD:Red
BL:Blue
YL:Yellow



SPECIFICATIONS:

Current Rating: 6A AC,DC
Voltage Rating: 300V AC,DC
Temperature Range: -25°C ~ +85°C
Contact Resistance: 10mΩ Max
Insulation Resistance: 1000MΩ Min
Withstanding Voltage: 1500V AC/minute
Pin Material:Brass/Tin over Nickel
Material: Nylon 66,UL94V-0(Natural)

Ordering Information & Dimensions

Circuits	Dimensions(mm)		Circuits	Dimensions(mm)	
	A	B		A	B
2P	3.96	9.06	5P	15.84	20.94
3P	7.92	13.02	6P	19.80	24.90
4P	11.88	16.98			

King To Be Applied As Follows

Circuits NO.	1	2	3	4	5	6
HDGC3962WV-2P-2	A	B				
HDGC3962WV-3P-2	A	B	A			
HDGC3962WV-4P-2	A	B	A	B		
HDGC3962WV-5P-2	A	B	A	B	A	
HDGC3962WV-5P-2-A	A	B	B	A	A	
HDGC3962WV-5P-2-N2	A	B	B	B	A	
HDGC3962WV-6P-2	A	B	A	B	A	B



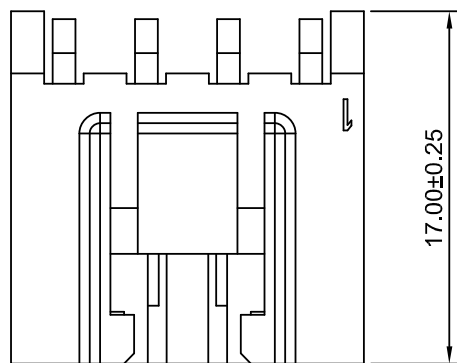
深圳市华德共创科技有限公司

SHENZHEN HUADE CO-CREATE TECHNOLOGY CO.,LTD

TEL : 0755-27129737 FAX : 0755-29940187

-TOLERANCES- UNLESS OTHERWISE SPECIFIED 公差参数表					TITLE: 3.96mm Pitch 产品名称: 180° Wafer			
X.X	±0.30	X.X°	±3°	APPD: 核准:	XIE			
X.XX	±0.30	X.XX°	±2°	CHECK: 校对:	WANG			
X.XXX	±0.10	X.XXX°	±1°	DRAW: 绘图:	WANG			
PART NO: 产品编号:					HDGC3962WV-XP-2			
DATE		SCALE	UNIT	CODE NUMBER				
2017-04-12		2:1	mm	A008				

修订 REV	标记 MARK	修改摘要 REVISION DESCRIPTION	签名 SIGNATURE	日期 DATE
AO		NEW RELEASE	WANG	2017-04-12



Ordering Information:

HDGC3962WR-XP - **

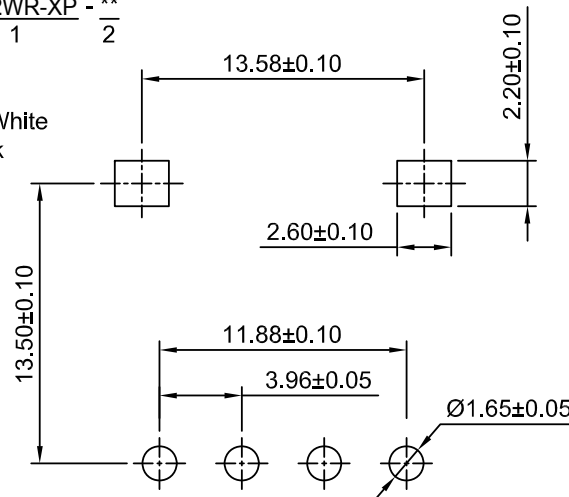
1
2

1. Part No.

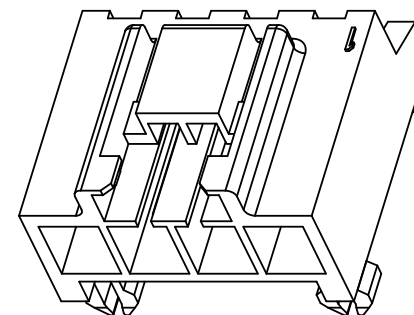
2. Color:

(blank): White

BK: Black



P.C.B LAYOUT



SPECIFICATIONS:

Current Rating: 6A AC,DC

Voltage Rating: 300V AC,DC

Temperature Range: -25°C ~ +85°C

Contact Resistance: 10mΩ Max

Insulation Resistance: 1000MΩ Min

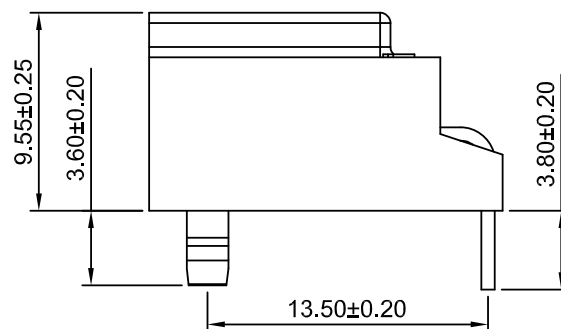
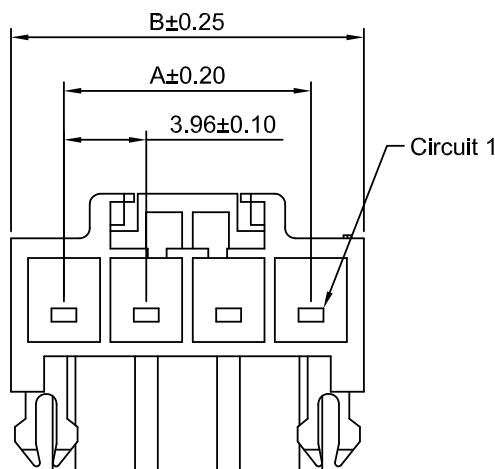
Withstanding Voltage: 1500V AC/minute

Pin Material: Brass/Tin over Nickel

Material: Nylon 66, UL94V-0(White)

Ordering Information & Dimensions

Circuits	Dimensions(mm)		Circuits	Dimensions(mm)	
	A	B		A	B
2P	3.96	9.06	4P	11.88	16.98



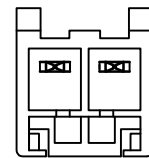
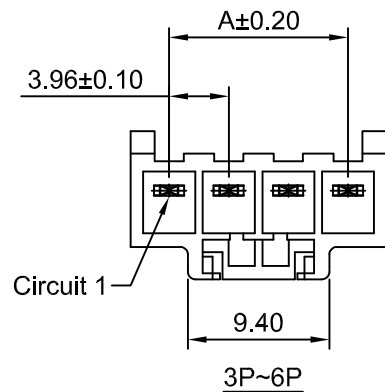
HDGC 深圳市华德共创科技有限公司
 SHENZHEN HUADE CO-CREATE TECHNOLOGY CO.,LTD
 TEL : 0755-27129737 FAX : 0755-29940187

-TOLERANCES- UNLESS OTHERWISE SPECIFIED 公差参数表				TITLE: 3.96mm Pitch 产品名称: 90° Wafer	
X.X	±0.30	X.X°	±3°	APPD: 核准:	XIE
X.XX	±0.30	X.XX°	±2°	CHECK: 校对:	WANG
X.XXX	±0.10	X.XXX°	±1°	DRAW: 绘图:	WANG
PART NO: 产品编号:		HDGC3962WR-4P			
DATE	SCALE	UNIT	CODE NUMBER		
2017-04-12	3:1	mm	A008		

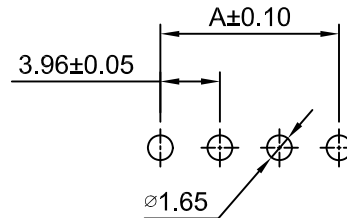
修订 REV	标记 MARK	修改摘要 REVISION DESCRIPTION	签名 SIGNATURE	日期 DATE
AO		NEW RELEASE	WANG	2017-04-12

Ordering Information:
HDGC3962WVA-XP - **
 1 2

- 1.Part No.
 2.Color:
 (blank):Natural
 BK:Black
 RD:Red
 BL:Blue
 YL:Yellow



2P



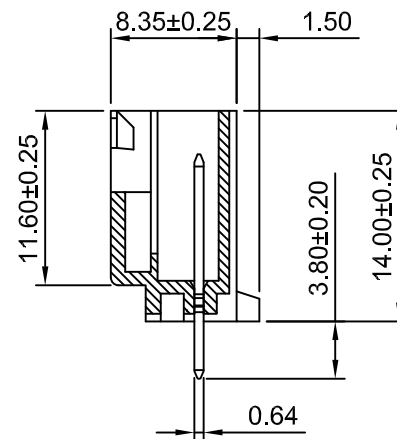
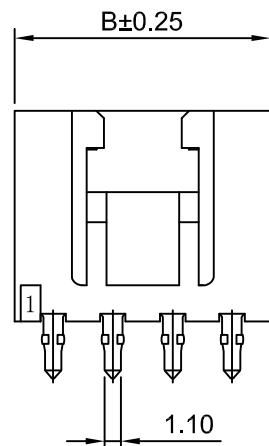
P.C.B LAYOUT

SPECIFICATIONS:

Current Rating: 6A AC,DC
 Voltage Rating: 300V AC,DC
 Temperature Range: -25°C ~ +85°C
 Contact Resistance: 10mΩ Max
 Insulation Resistance: 1000MΩ Min
 Withstanding Voltage: 1500V AC/minute
 Pin Material:Brass/Tin over Nickel
 Material: Nylon 66,UL94V-0(Natural)

Ordering Information & Dimensions

Circuits	Dimensions(mm)		Circuits	Dimensions(mm)	
	A	B		A	B
2P	3.96	9.06	5P	15.84	20.94
3P	7.92	13.02	6P	19.80	24.90
4P	11.88	16.98			

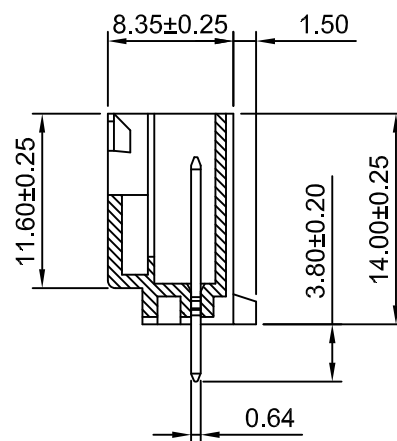
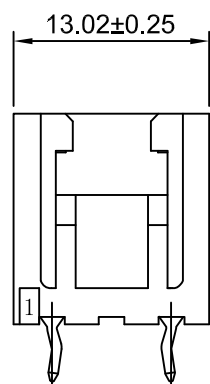
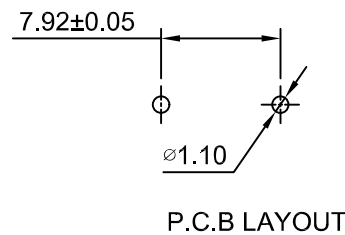
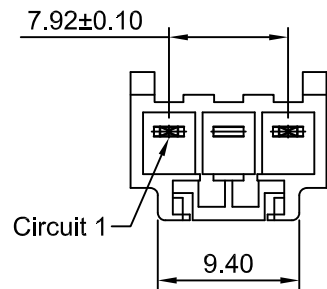


深圳市华德共创科技有限公司

SHENZHEN HUADE CO-CREATE TECHNOLOGY CO.,LTD
 TEL : 0755-27129737 FAX : 0755-29940187

-TOLERANCES- UNLESS OTHERWISE SPECIFIED 公差参数表				 		TITLE: 3.96mm Pitch 产品名称: 180° Wafer			
X.X	±0.30	X.X°	±3°	APPD: 核准:	XIE	PART NO: 产品编号: HDGC3962WVA-XP			
X.XX	±0.30	X.XX°	±2°	CHECK: 校对:	WANG	DATE	SCALE	UNIT	CODE NUMBER
X.XXX	±0.10	X.XXX°	±1°	DRAW: 绘图:	WANG	2017-04-12	2:1	mm	A008

修订 REV	标记 MARK	修改摘要 REVISION DESCRIPTION	签名 SIGNATURE	日期 DATE
AO		NEW RELEASE	WANG	2017-04-12



Ordering Information:

HDGC3962WV-3P-A - *** - **
1 2 3

1.Part No.

2.Material:

(blank):Nylon 66,UL94V-0

GWT:Nylon 66,UL94V-0,GWT 750°C

3.Color:

(blank):Natural

BK:Black

RD:Red

BL:Blue

YL:Yellow

SPECIFICATIONS:

Current Rating: 6A AC,DC

Voltage Rating: 300V AC,DC

Temperature Range: -25°C ~ +85°C

Contact Resistance: 10mΩ Max

Insulation Resistance: 1000MΩ Min

Withstanding Voltage: 1500V AC/minute

Pin Material:Brass/Tin over Nickel

Material: Nylon 66,UL94V-0(Natural)



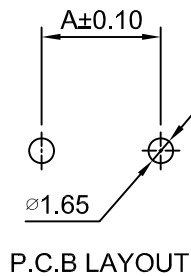
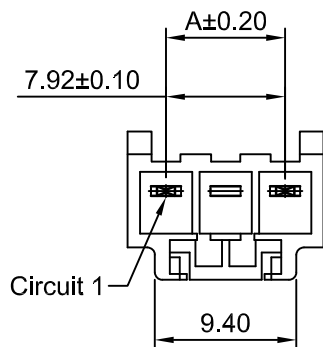
深圳市华德共创科技有限公司

SHENZHEN HUADE CO-CREATE TECHNOLOGY CO.,LTD

TEL : 0755-27129737 FAX : 0755-29940187

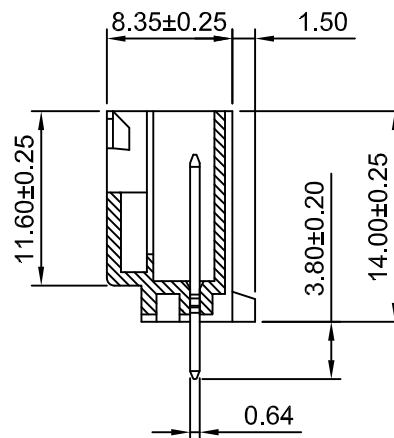
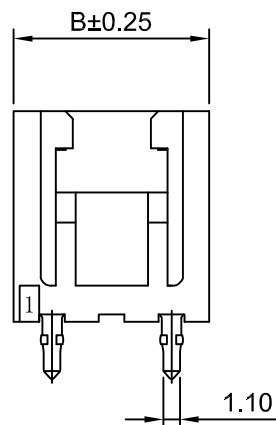
-TOLERANCES- UNLESS OTHERWISE SPECIFIED 公差参数表						TITLE: 7.92mm Pitch 产品名称: 180° Wafer			
X.X	±0.30	X.X°	±3°	APPD: 核准:	XIE	PART NO: 产品编号: HDGC3962WV-3P-A			
X.XX	±0.30	X.XX°	±2°	CHECK: 校对:	WANG	DATE	SCALE	UNIT	CODE NUMBER
X.XXX	±0.10	X.XXX°	±1°	DRAW: 绘图:	WANG	2017-04-12	2:1	mm	A008

修订 REV	标记 MARK	修改摘要 REVISION DESCRIPTION	签名 SIGNATURE	日期 DATE
AO		NEW RELEASE	WANG	2017-04-12



Ordering Information:
 HDGC3962WVA-XP-A - **
 1 2

- 1.Part No.
 2.Color:
 (blank):Natural
 BK:Black
 RD:Red
 BL:Blue
 YL:Yellow



SPECIFICATIONS:

Current Rating: 6A AC,DC
 Voltage Rating: 300V AC,DC
 Temperature Range: -25°C ~ +85°C
 Contact Resistance: 10mΩ Max
 Insulation Resistance: 1000MΩ Min
 Withstanding Voltage: 1500V AC/minute
 Pin Material:Brass/Tin over Nickel
 Material: Nylon 66,UL94V-0(Natural)

Ordering Information & Dimensions


Circuits	Dimensions(mm)		Circuits	Dimensions(mm)	
	A	B		A	B
3P	7.92	13.02	5P	15.84	20.94



深圳市华德共创科技有限公司

SHENZHEN HUADE CO-CREATE TECHNOLOGY CO.,LTD

TEL : 0755-27129737 FAX : 0755-29940187

-TOLERANCES- UNLESS OTHERWISE SPECIFIED 公差参数表				 		TITLE: 7.92mm Pitch 产品名称: 180° Wafer			
X.X	±0.30	X.X°	±3°	APPD: 核准:	XIE	PART NO: 产品编号: HDGC3962WVA-XP-A			
X.XX	±0.30	X.XX°	±2°	CHECK: 校对:	WANG	DATE	SCALE	UNIT	CODE NUMBER
X.XXX	±0.10	X.XXX°	±1°	DRAW: 绘图:	WANG	2017-04-12	2:1	mm	A008