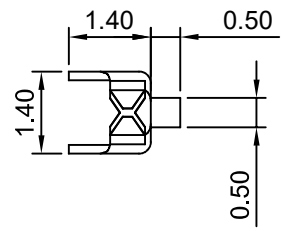
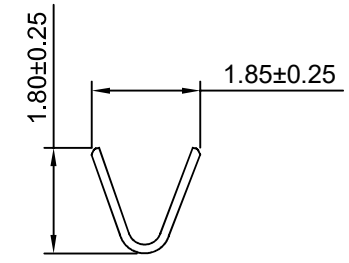
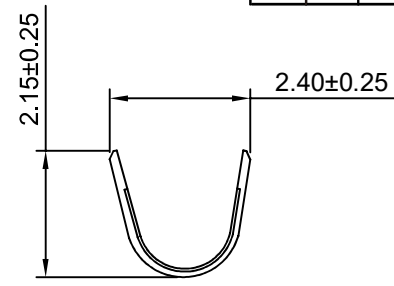
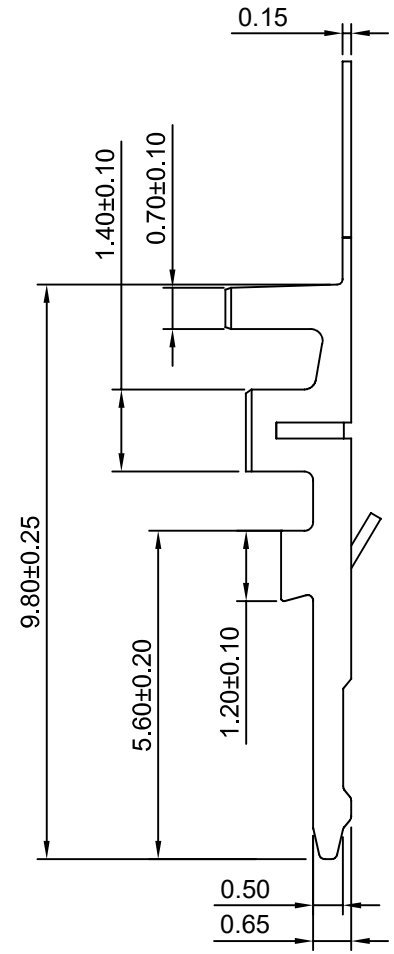
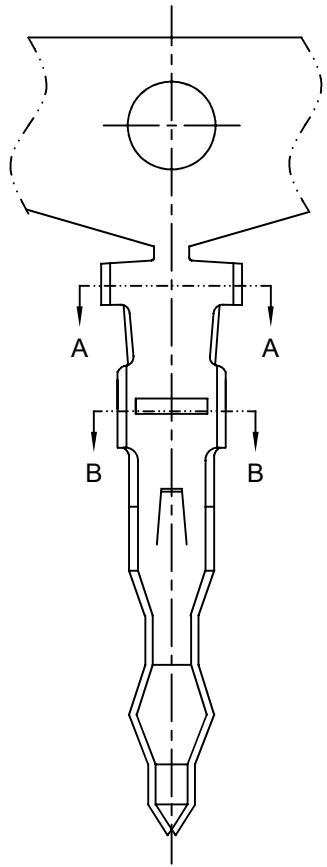


修订 REV	标记 MARK	修改摘要 REVISION DESCRIPTION	签名 SIGNATURE	日期 DATE
AO		NEW RELEASE	WANG	2012-04-08



Ordering information & Specifications

Unit:mm

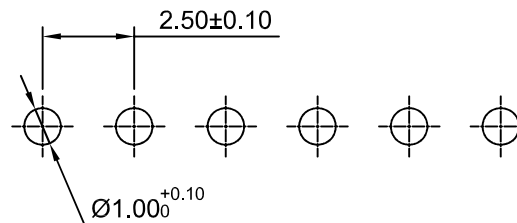
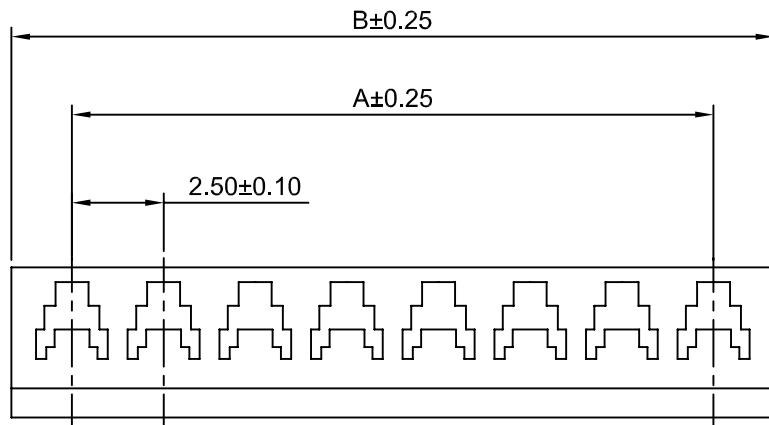
Part No	Wire Range	Insultion O.D.	Material	Finish	Qty/reel
HDGC2515-TP	AWG#20-#28	1.90mm(max)	Phosphor Bronze	Tin over Nickel	10,000 PCS
HDGC2515-TB	AWG#20-#28	1.90mm(max)	Brass	Tin over Nickel	10,000 PCS

Optional Gold plating available but MOQ requested

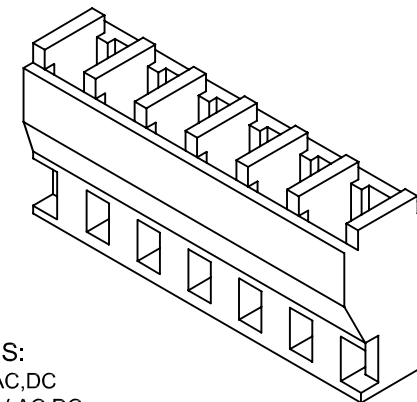
深圳市华德共创科技有限公司
 Shenzhen Huade co-create Technology Co.,LTD
 TEL : 0755-27129737 FAX : 0755-29940187

-TOLERANCES- UNLESS OTHERWISE SPECIFIED 公差参数表				TITLE: 2.50mm Pitch 产品名称: Crimp Terminal							
X.X	±0.30	X.X°	±3°	APPD: 核准:	XIE			PART NO: 产品编号:	HDGC2515-T		
X.XX	±0.30	X.XX°	±2°	CHECK: 校对:	WANG			DATE	SCALE	UNIT	CODE NUMBER
X.XXX	±0.10	X.XXX°	±1°	DRAW: 绘图:	WANG			2012-04-08	8:1	mm	A008

修订 REV	标记 MARK	修改摘要 REVISION DESCRIPTION	签名 SIGNATURE	日期 DATE
AO		NEW RELEASE	WANG	2012-04-08



P.C.B LAYOUT

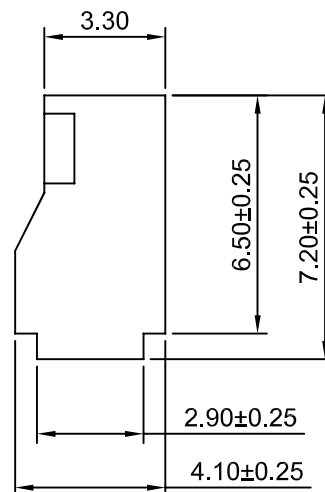
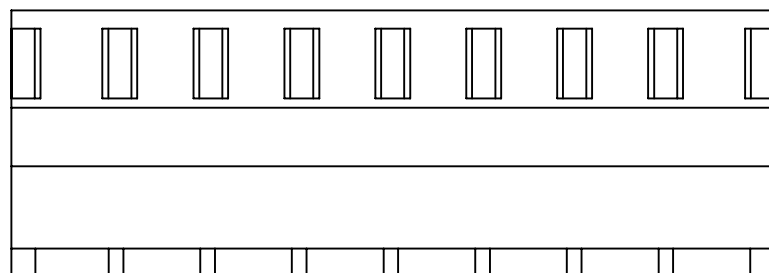


SPECIFICATIONS:

Current Rating: 3A AC,DC
Voltage Rating: 250V AC,DC
Temperature Range: -25°C ~ +85°C
Contact Resistance: 10mΩ Max.
Insulation Resistance: 1000MΩ Min.
Withstanding Voltage: 1000V AC/minute
Material: Nylon 66, UL94V-0(Natural)

Ordering Information & Dimensions

Circuits	Dimensions(mm)		Circuits	Dimensions(mm)	
	A	B		A	B
2P	2.50	5.80	12P	27.50	30.80
3P	5.00	8.30	13P	30.00	33.30
4P	7.50	10.80	14P	32.50	35.80
5P	10.00	13.30	15P	35.00	38.30
6P	12.50	15.80	16P	37.50	40.80
7P	15.00	18.30	17P	40.00	43.30
8P	17.50	20.80	18P	42.50	45.80
9P	20.00	23.30	19P	45.00	48.30
10P	22.50	25.80	20P	47.50	50.80
11P	25.00	28.30			



深圳市华德共创科技有限公司

Shenzhen Huade co-create Technology Co.,LTD

TEL : 0755-27129737 FAX : 0755-29940187

-TOLERANCES- UNLESS OTHERWISE SPECIFIED 公差参数表						TITLE: 产品名称 : 2.50mm Pitch Housing			
X.X	±0.30	X.X°	±3°	APPD: 核准:	XIE	PART NO: 产品编号 : HDGC2515H-XP			
X.XX	±0.30	X.XX°	±2°	CHECK: 校对:	WANG	DATE	SCALE	UNIT	CODE NUMBER
X.XXX	±0.10	X.XXX°	±1°	DRAW: 绘图:	WANG	2012-04-08	5:1	mm	A008