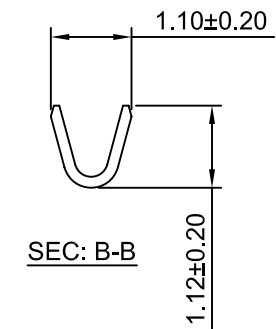
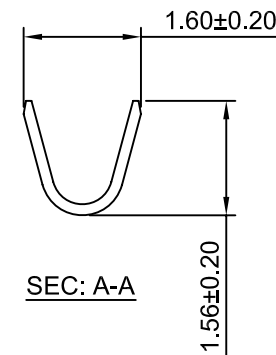
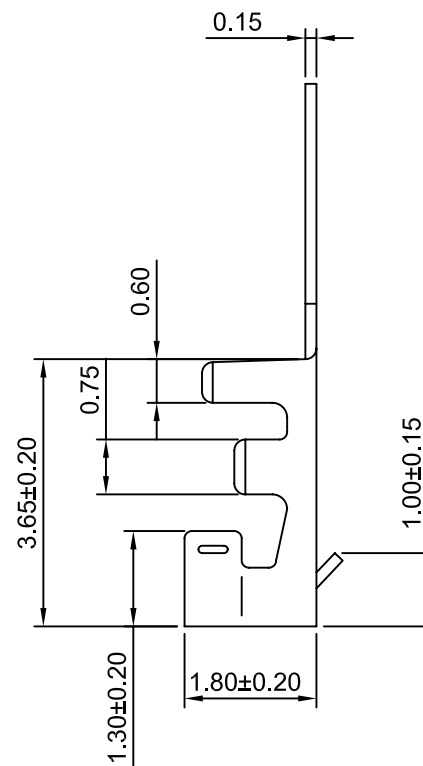
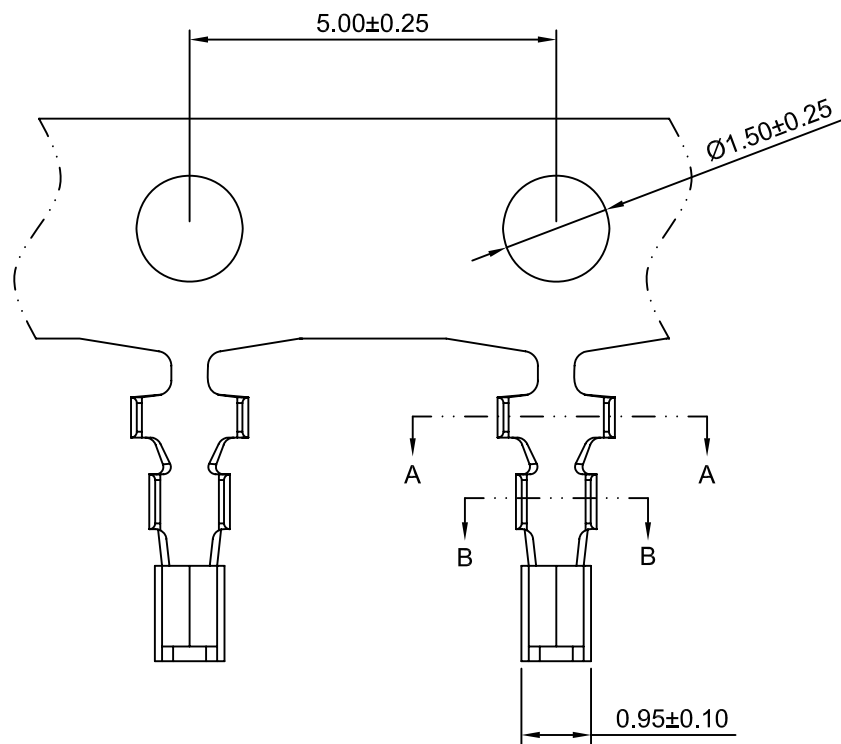


修订 REV	标记 MARK	修改摘要 REVISION DESCRIPTION	签名 SIGNATURE	日期 DATE
AO		NEW RELEASE	WANG	2017-02-10



Ordering information & Specifications

Unit:mm

Part No	Wire Range	Insultion O.D.	Material	Finish	Qty/reel
HDGC1258-TP	AWG#28-#32	0.90mm(max)	Phosphor Bronze	Tin over Nickel	15,000 PCS
HDGC1258-GP	AWG#28-#32	0.90mm(max)	Phosphor Bronze	Gold over Nickel	15,000 PCS

Optional Gold plating available but MOQ requested



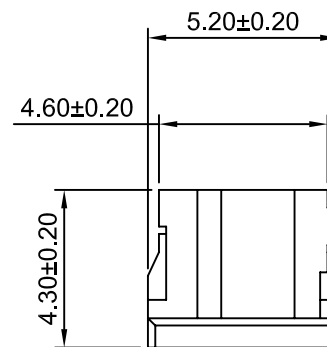
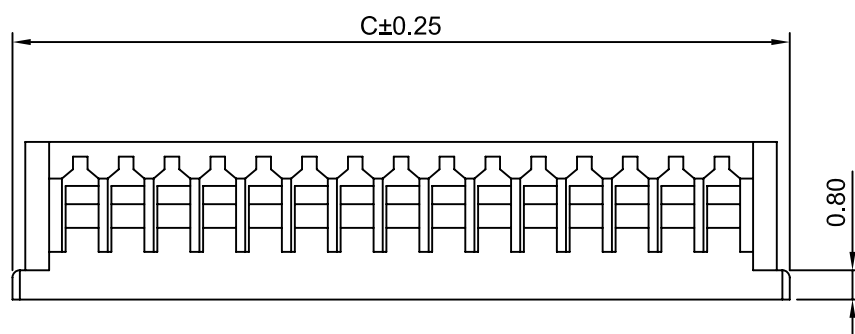
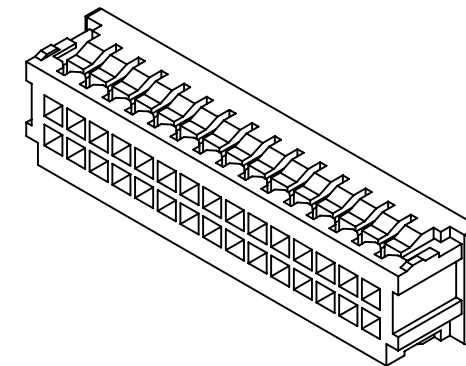
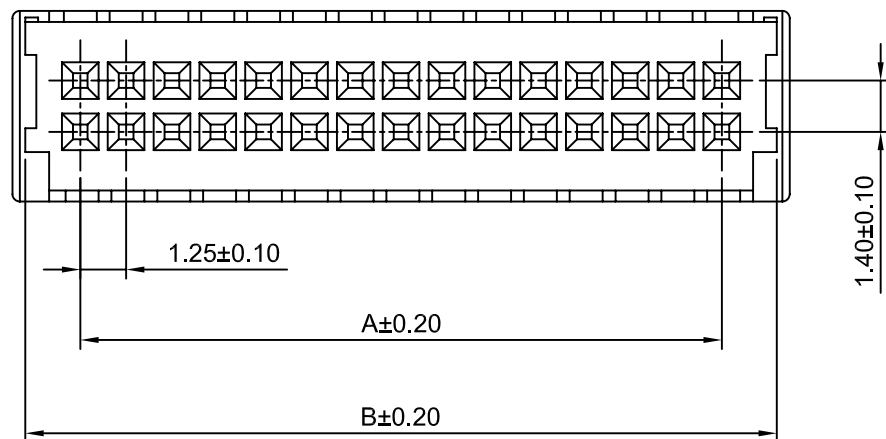
深圳市华德共创科技有限公司

Shenzhen Huade co-create Technology Co.,LTD

TEL : 0755-27129737 FAX : 0755-29940187

-TOLERANCES- UNLESS OTHERWISE SPECIFIED 公差参数表						TITLE: 1.25mm Pitch 产品名称: Crimp Terminal			
X.X	±0.30	X.X°	±3°	APPD: 核准:	XIE	PART NO: 产品编号: HDGC1258-T			
X.XX	±0.30	X.XX°	±2°	CHECK: 校对:	WANG	DATE	SCALE	UNIT	CODE NUMBER
X.XXX	±0.10	X.XXX°	±1°	DRAW: 绘图:	WANG	2017-02-10	10:1	mm	A008

修订 REV	标记 MARK	修改摘要 REVISION DESCRIPTION	签名 SIGNATURE	日期 DATE
AO		NEW RELEASE	WANG	2017-02-10



Ordering Information & Dimensions

Circuits	Dimensions(mm)		
	A	B	C
2x10P	11.25	14.25	14.95
2x15P	17.50	20.50	21.20
2x20P	23.75	26.75	27.45

**SPECIFICATIONS:**

Current Rating: 1A AC,DC  
Voltage Rating: 150V AC,DC  
Temperature Range:  $-25^{\circ}\text{C} \sim +85^{\circ}\text{C}$   
Contact Resistance: 20m $\Omega$  Max.  
Insulation Resistance: 100M $\Omega$  Min.  
Withstanding Voltage: 250V AC/minute  
Material: Nylon 66+15%GF, UL94V-0(Gray)



深圳市华德共创科技有限公司

Shenzhen Huade co-create Technology Co.,LTD

TEL : 0755-27129737 FAX : 0755-29940187

-TOLERANCES- UNLESS OTHERWISE SPECIFIED 公差参数表						TITLE: 产品名称: 1.25mm Pitch Housing			
X.X	$\pm 0.30$	X.X $^{\circ}$	$\pm 3^{\circ}$	APPD: 核准:	XIE	PART NO: 产品编号: HDGC1258H-2xXP			
X.XX	$\pm 0.30$	X.XX $^{\circ}$	$\pm 2^{\circ}$	CHECK: 校对:	WANG	DATE	SCALE	UNIT	CODE NUMBER
X.XXX	$\pm 0.10$	X.XXX $^{\circ}$	$\pm 1^{\circ}$	DRAW: 绘图:	WANG	2017-02-10	5:1	mm	A008